



Telescopic Hydraulic Gantries

SL, SBL, MBL-Series

No. 1 Choice
by Heavy Lifting
and Rigging
Professionals

The Ultimate in
Safety and Control



Why Choose Enerpac Hydraulic Gantries?

ENERPAC
HEAVY LIFTING
TECHNOLOGY

▼ Enerpac SL, SBL and MBL-Series Telescopic Hydraulic Gantries



Highest Quality

- Enerpac adheres to the highest quality standards and maintains rigid QA manufacturing processes
- Lloyd's witness tested to 125% of maximum working load.

Best Support

- Product training is available at our place or yours, to insure operators are fully trained prior to using the equipment
- Our global staff is available to help anywhere the equipment may be in operation.

Proven Safety

- All Enerpac gantries comply to ASME B30.1-2015 and other Safety Standards
- Advance technology and controls alert operator of unsafe conditions and stops gantry operations.

▼ SBL1100 gantry used to assembling a hydraulic press.



Precision Lift and Position of Heavy Loads

The Ultimate in Safety and Control



▼ SBL1100 hydraulic gantry was deployed along with self-propelled transporters to unload and place the generator.



Telescopic Hydraulic Gantries



Hydraulic Gantries

Hydraulic Gantries are a safe, efficient way to lift and position heavy loads in applications where traditional cranes will not fit and permanent overhead structures for job cranes are not an option.

Hydraulic Gantries are placed on skid tracks to provide a means for moving and placing heavy loads, many times with only one pick.

Enerpac offers three series of Hydraulic Gantry systems:

- The cost-effective **SL-Series Super Lift** with best in class control and comparable capacity utilizing telescopic cylinders offered in 2 or 3 stages.

- The heavy-duty **SBL-Series Super Boom Lift** with capacities up to 10.484 kN ton and 3-stage lifting capability through the boom structure
- The **MBL-Series Mega Boom Lift**, which incorporates all features of the SBL-Series and offers full lifting capacity over the entire stroke.

All Enerpac gantries are delivered with specific properties and control systems to ensure optimum stability and safety.

Standard Features

- Self-contained hydraulics
- Wireless Intelli-Lift controls
- Synchronous lifting and lowering
- Self-propelled wheels or tank rollers with synchronized travel.

SL SBL MBL Series



Capacity with 4 towers:

600 - 10.484 kN

Lift Height:

3,4 - 14,5 meters



Intelli-Lift Control System

The Intelli-Lift wireless control system is included with all Enerpac hydraulic gantries. The Intelli-Lift controller offers superior

safety and control and includes the following features:

- Encrypted bi-directional communication that eliminates interference from other devices
- Remote operation using multi channel wireless (2.4 GHz) or wired (RS-485) control
- High and low speed settings
- Automatic synchronization of lifting with an accuracy of 24 mm (0.95 inch)
- Automatic synchronization of travelling with an accuracy of 15 mm (0.60 inch)
- Overload and stroke alarms
- Remote side shift control
- Emergency stop switch.



1	Gantry Leg	Required
2	Skid Track	Required
3	Side Shift	Optional
4	Header Beam	Required
5	Lifting Anchor *	Optional
6	Intelli-Lift Controller	Included

* In the illustration the Side Shifts are shown. However, some loads can be lifted with Lifting Anchors. For this reason a Lifting Anchor is shown.

▼ Removal of decommissioned London Tube trains with an SL60 Super Lift gantry.



SL-Series, Telescopic Hydraulic Gantries

▼ Typical SL400 configuration with Skid Tracks, Header Beams and Side Shifts



- Build-in load holding valves to prevent drifting
- Double-acting cylinders with internal retract porting eliminate hazards to external plumbing
- SL60 and SL125 are provided with a hand crank to easily switch to free wheel mode
- SL400 utilizes same accessories as SBL-Series.



◀ SL-400 Gantry during load testing.

SL Series

Capacity with 4 legs:

600 - 4000 kN

Lift Height:

4,70 - 9,14 meters



Skid Tracks

Allows for easy levelling of the gantry tower and reduce ground bearing pressur. Available in two standard lengths, 3 and 6 m.

Page: 7

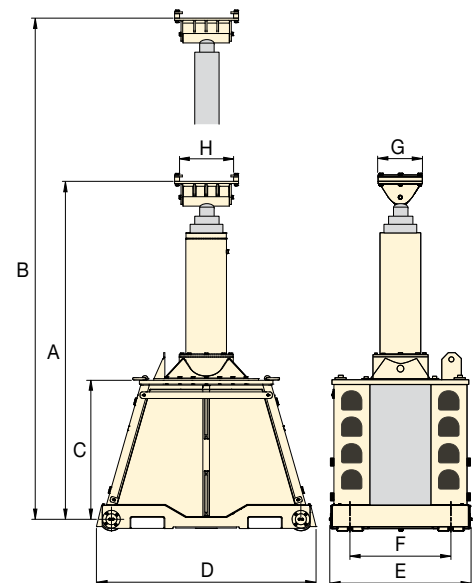


Header Beams

Sold in pairs and includes lifting points and fork pockets for easy positioning on gantry towers.

Available in standard lengths of 8, 10 and 12 meters. Custom lengths available on request.

Page: 7



Maximum Capacity (4 legs)	Model Number (4 legs)	Retracted Height	Stage 1		Stage 2		Stage 3		Base Height	Base Length	Base Width	Track Gauge	Beam Plate Length	Beam Plate Width	Weight per leg
			Max. Height	Max. Capacity	Max. Height	Max. Capacity	Max. Height	Max. Capacity							
kN		A (mm)	B (mm)	(kN)	B (mm)	(kN)	B (mm)	(kN)	C (mm)	D (mm)	E (mm)	F (mm)	G (mm)	H (mm)	(kg)
600	SL60	2004	3404	150	4704	150	–	–	1285	1160	800	629	410	315	1050
1250	SL125	2640	4575	313	6640	313	–	–	1807	1566	932	612	350	320	2130
3000	SL300	2705	4605	750	6700	500	–	–	1900	1700	880	610	400	490	3250
4000	SL400	3166	5224	1000	7232	1000	9140	460	1378	2023	1256	914	400	490	4600

SBL-Series, Telescopic Hydraulic Gantries

▼ SBL1100 with STSBL Skid Tracks, Header Beams and Side Shifts



- Octagonal boom: provides added strength for increased capacity and lifting height
- SBL1100 and SBL900 have foldable boom to enable easy transport and setup
- SBL1100 and SBL900 have tank rollers to provide optimum load distribution
- SBL500 has fixed boom and steel wheels.



◀ Two SBL1100 gantry systems lifted the 1300 ton hydrocracker off the barge onto a SPMT Self-Propelled Modular Transporter.

SBL Series

Capacity with 4 legs:

5000 - 10.484 kN

Lift Height:

6,9 - 12,0 meters



Powered Side Shift

Electric propulsion controlled by standard gantry controls. Each set consists of 4 units.

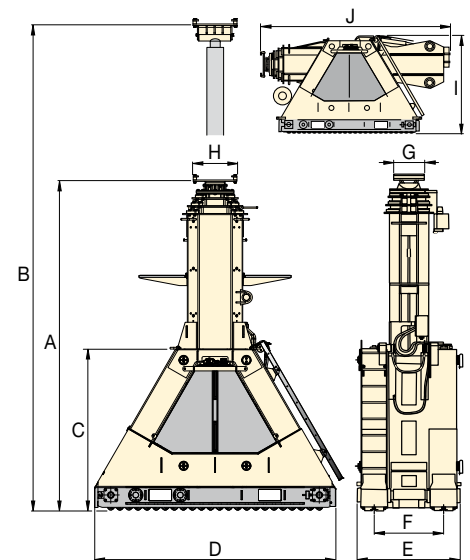
Page: **8**



Lifting Anchors

Designed to transfer the load to the top of the header beam. Can accommodate a 250 ton shackle or attach directly to the lifted load.

Page: **8**



Maximum Capacity (4 legs) kN	Model Number (4 legs)	Retracted Height A (mm)	Stage 1		Stage 2		Stage 3		Base Height C (mm)	Base Length D (mm)	Base Width E (mm)	Track Gauge F (mm)	Beam Plate Length G (mm)	Beam Plate Width H (mm)	Weight per leg (kg)
			Max. Height B (mm)	Max. Capacity (kN)	Max. Height B (mm)	Max. Capacity (kN)	Max. Height B (mm)	Max. Capacity (kN)							
5000	SBL500	3028	4998	1300	6908	1300	8618	750	1378	2023	1256	914	400	490	6300
8976	SBL900	5004	8304	2244	11304	1481	—	—	2129	3310	1408	914	400	490	13.350
10.484	SBL1100	4370	7004	2621	9668	1689	12002	945	2129	3310	1408	914	400	490	11.950

Transport dimensions: SBL900 Height I = 2243 mm, Overall Length J = 4935 mm
SBL1100 Height I = 2243 mm, Overall Length J = 4306 mm

MBL-Series, Telescopic Hydraulic Gantries

▼ Typical MBL600 configuration with Skid Tracks, Header Beams and Side Shifts



- Square corrugated boom: provides added strength for increased capacity and lifting height
- Full lifting capacity over full stroke
- Foldable boom to enable easy transport and setup
- Tank rollers to provide optimum load distribution
- Extra wide track gauge for ultimate stability.



◀ Foldable boom to enable easy transport and set-up.

MBL Series

Capacity with 4 legs:

5000 - 6000 kN

Lift Height:

12,8 - 14,5 meters

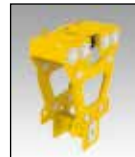


Header Beams

Sold in pairs and includes lifting points and fork pockets for easy positioning on gantry towers.

Available in standard lengths of 8, 10 and 12 meters. Custom lengths available on request.

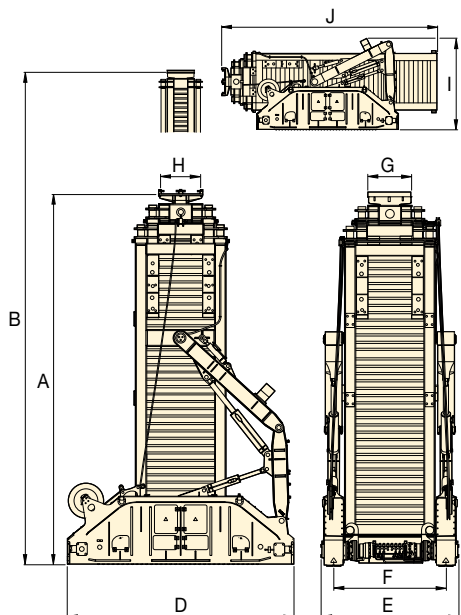
Page: 7



Powered Side Shift

Electric propulsion controlled by standard gantry controls. Each set consists of 4 units.

Page: 8

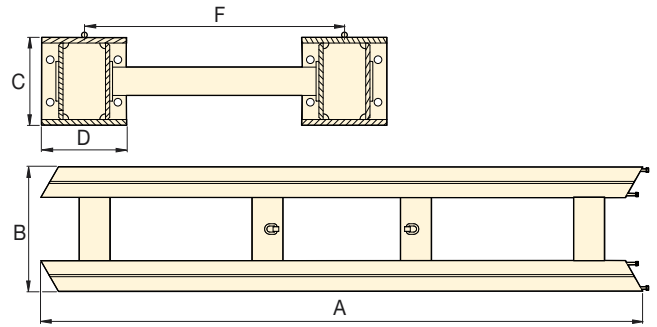


Maximum Capacity (with 4 legs)	Model Number (4 legs)	Retracted Height	Maximum Height *	Maximum Capacity per Leg	Base Length	Base Width	Track Gauge	Beam Plate Length	Beam Plate Width	Transport Dimensions		Weight per Leg
		A (mm)	B (mm)		D (mm)	E (mm)		F (mm)	G (mm)	H (mm)	I (mm)	
5000	MBL500	6098	12.867	1250	4006	2131	1682	780	689	2243	5560	19.750
6000	MBL600	6553	14.552	1500	4006	2431	1982	780	689	2525	6015	20.950

* Extends simultaneously through all stages with full lifting capacity at any height.

Additional Gantry Components


▼ Skid Tracks



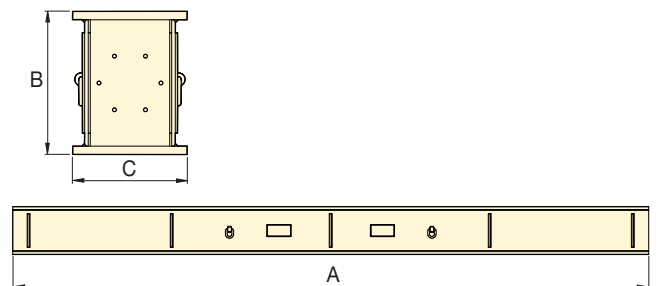
SKID TRACKS

Allows for easy leveling of the gantry leg, available in two standard lengths.

- Required to support and level gantry
- Provides load spreading to ground
- Includes lifting eyes and/or fork pockets.

Used with Gantry Series	Model Number	Track Length	Track Width	Track Height	Track Base	Track Gauge	
		A (meters)	B (mm)	C (mm)	D (mm)	F (mm)	
SL60	STSL60-3	3,0	769	133	140	629	187
	STSL60-6	5,9	769	133	140	629	364
SL125	STSL125-3	3,0	812	200	200	612	433
	STSL125-6	5,9	812	200	200	612	855
SL300	STSL300-3	3,0	830	280	220	610	744
	STSL300-6	5,9	830	280	220	610	1458
SL400 and all SBL	STSBL-3	3,0	1218	310	300	914	1192
	STSBL-6	5,9	1218	310	300	914	2135

▼ Header Beam




This drawing represents SBL-header beams, SL-header beams are H-beams

HEADER BEAMS

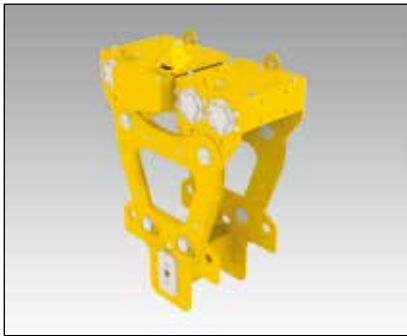
Sold in pairs and includes lifting points and fork pockets for easy positioning on gantry legs.

- Supplied with load chart
- Includes lifting eyes and/or fork pockets.

Used with Gantry Series	Model Number	Maximum Load at Beam Center	Beam Length ¹⁾	Beam Depth	Beam Width	
		kN	A (meters)	B (mm)	C (mm)	
SL60	HBSL60-6	450	6,0	340	310	1500
	HBSL60-8	370	8,0	359	309	2015
SL125	HBSL125-6	625	6,0	432	307	1605
	HBSL125-8	625	8,0	524	306	2278
SL300, SL400 and all SBL	HBSBL-6	1300	6,0	600	480	2550
	HBSBL-8	1010	8,0	600	480	3293
	HBSBL-10	800	10,0	600	480	4100
	HBSBL-12	1320	11,95	950	480	6468

¹⁾ Custom lengths available on request.

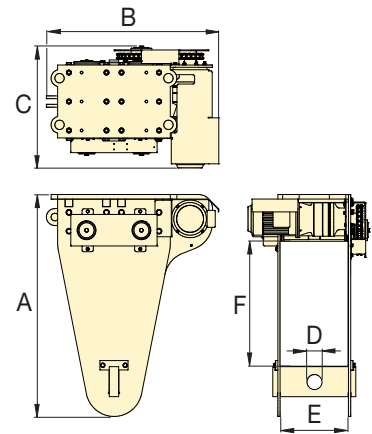
▼ **Powered Side Shift**



POWERED SIDE SHIFT

Electric propulsion controlled by standard gantry controls

- Used to shift load along header beam
- Each side shift contains an electric drive
- Utilizes existing gantry wireless control
- Includes transport frame.



Used with Gantry Series	Model Number ¹⁾	Capacity per Side Shift (kN)	Travel Speed (cm/min)	Side Shift Height ²⁾	Side Shift Width	Side Shift Depth	Pin Hole Diameter (mm)	Internal Width	Internal Height	Weight per Side Shift (kg)
				A (mm)	B (mm)	C (mm)		D (mm)	E (mm)	
SL60, SL125	BSSL125	312,5	41	1180	918,4	647	75	325	675	380
SL300, SL400 and all SBL-models	BSSBL300	1000	60	1943	795,6	749	145	490	1235	862
	BSSBL600	1500	90	1928	1400	749	145	490	1185	1500

¹⁾ Each model number includes 4x propelled unit and cable guides.

²⁾ Custom heights available on request.

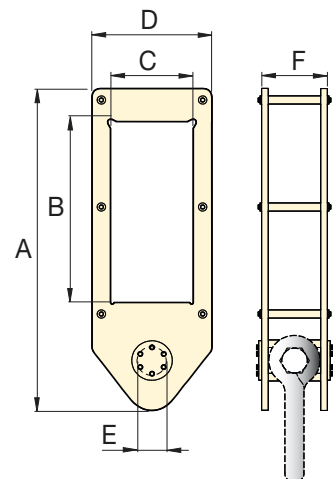
▼ **Lifting Anchor**



LIFTING ANCHORS

Designed to transfer the load to the top of the header beam. Can accommodate a 250 ton shackle or attach directly to the lifted load.

- Used to attach rigging to header beam
- Manually spaced to desired location.



Used with Gantry Series	Model Number	Capacity per Anchor (kN)	Lifting Anchor Height	Beam Hole Depth	Beam Hole Width	Lifting Anchor Width	Pin Hole Diameter (mm)	Lifting Anchor Depth	Weight (kg)
			A (mm)	B (mm)	C (mm)	D (mm)		F (mm)	
SL60	LLSL60	125	895	460	320	460	80	15	24
SL125	LLSL125	313	1023	678	320	420	60	25	40
SL300, SL400 and all SBL & MBL	LLSBL125	1250	1955	1100	490	710	205	40	220
	LLSBL250 *	2500	1955	1100	490	710	205	428	600

* LLSBL250 is built with two plates connected together and designed to use heavy duty shackle (not included). For shackles, see page 9.

Optional Gantry Accessories

Optional Gantry Accessories



Enerpac also offers a variety of optional accessories to complete your gantry system.

- Azobe wood timbers and transport frames
- Slings and shackles
- Side shift transport frames
- Tarpaulin covers.

For
**SL,
SBL
MBL
Series**



Slings (endless grommet)

Used with Gantry Series	Sling Model Number	Capacity	Length
		(ton)	(m)
SL60	EGSL60-182	17	2
	EGSL60-184	17	4
	EGSL60-186	17	6
SL125	EGSL125-392	39	2
	EGSL125-394	39	4
	EGSL125-396	39	6
SL300, SL400 and all SBL	EGSBL112-6	110	6
	EGSBL112-8	110	8
	EGSBL112-10	110	10
	EGSBL251-6	250	6
	EGSBL251-8	250	8
	EGSBL251-10	250	10

Accessories for all Gantries

Used with Gantry Series	Model Number	Material and Dimensions (mm)			Description
		L	W	H	
All Gantry Series	STAWFT	Transport Frame for Azobe Timbers			Frame for 100 pieces
	STAW100	1500	100	100	Includes 100 pieces
	STSP500	Steel Shimming Plates			For Skid Track Alignment. Includes 500 plates

Shackles from 17 to 250 ton

Used with Gantry Series	Shackle Model Number	Capacity (ton)	Description
SL60	GPSL60-17	17	Green Pin Brand
SL125	GPSL125-35	35	Green Pin Brand
SL300, SL400 and all SBL	GPSBL150	150	Green Pin Brand
	GPSBL250	250	Green Pin Brand

Side Shift Transport Frames

Used with Gantry Series	Transport Frame Model Number	Transport Frame Model Number for Beam Skidding	Units per Frame
SL60	BSTFS	BSSL60	2
SL125	BSTFS	BSSL125	2
SL300, SL400 and all SBL	BSTFL	BSSL600	2

Tarpaulin Covers for Storage Only

Used with Gantry Series	Tarpaulin Cover Model Number	Description
SL60	TCSL 60	Tarpaulin cover includes logo on both sides
SL125	TCSL 125	
SL300	TCSL 300	
SL400 and all SBL	TCSBL	



TRANSFORMER INSTALLATION

SBL900 gantry was used to transfer the transformer from the rail car to the heavy haul truck. Once at the sub-station, the gantry was used to install the transformer on its platform.



TRANSPORT OF 120 TON MACHINE BED

Using the hydraulic gantry's Intelli-Lift wireless control system, operators were able to swiftly and easily lift the machine bed with the SBL500.



TURBINE AND GENERATOR INSTALLATION

SBL1100 Super Boom gantry lifts 280 ton turbine and 214 ton generator over 5 meters, and positions on concrete foundation at a new power plant in Libya.



TRANSPORTING A 1200 TON HYDRAULIC PRESS

SL400 hydraulic gantries off load, transport, tilt and lift the press to its new foundation on the second floor mezzanine.



TURBINE LIFT AND LOAD-IN

Once the turbine was lifted a trailer was positioned under the hydraulic gantry with a SBL1100 gantry at shipping port.



OFFLOADING A HYDROCRACKER

Two SBL1100 gantry systems lifted the 1300 ton hydrocracker off the barge onto a Self-Propelled Modular Transporter (SPMT).



ASSEMBLING OFFSHORE PLATFORM OIL RIG MODULES

An SBL1100 gantry was used to safely lift and position four 700 ton modules with precise accuracy during the oil rig construction.



TRAVEL GANTRY

The Enerpac travel gantry is a self-folding rubber tire gantry with a 60 ton lifting capacity. It features self-contained hydraulics, telescopic cylinders and wireless controls. The travel gantry combines the safety and efficiency of a hydraulic gantry with the ease of use of a SPMT.



VERTICAL CASK TRANSPORTER

The Enerpac vertical cask transporter combines the lifting capability of a hydraulic gantry with the flexibility of a self-propelled modular transporter (SPMT) to provide safe handling of nuclear casks at spent fuel storage facilities.

Custom Heavy Lifting Solutions

When your application requires something other than our standard product offering, look to Enerpac's Heavy Lifting Technology, Experience and Expertise.

Our group of engineers, designers and specialist, will work with you to understand your specific application and provide a turn-key solution that will exceed your expectations.



STEEL FABRICATION

Enerpac has a dedicated facility for steel fabrication and welding. We design and manufacture custom structures used in demanding heavy-lifting applications.



ENGINEERING

Enerpac has a multi-disciplined engineering team capable of design and development of all aspects of a heavy lifting system. Leveraging design and application experience with the latest in computer software, rapid prototyping and analysis methods ensures delivery of the highest quality systems.



ELECTRONICS

Enerpac designs all control systems in-house. This capability keeps control technology close to the design engineers who are developing the rest of the system. In doing so, we can tailor the control system to match unique project requirements.



MACHINING

Enerpac utilizes the latest in CNC machining technologies and manufactures all large and special hydraulic cylinders in-house. We can machine diameters up to 1000 mm with lengths to 6000 mm.



FIELD SUPPORT

Enerpac Heavy Lifting is available to provide on-site support including training and troubleshooting of systems. We also stock repair parts and consumable items at several locations to ensure fast delivery and minimal downtime.



HYDRAULIC POWER UNITS

Enerpac designs, assembles and tests small to large hydraulic power units in-house. Power units range from 0,5 to 240 kW and are tested with the system they are intended to operate.



MAINTENANCE and REPAIR

Due to the unique nature of Enerpac Heavy Lifting Technology, we offer complete maintenance and repair services. Our M&R group is available to assist customers who do not have access to local service facilities qualified to work on these systems.

Telescopic Hydraulic Gantries



The Industrial Tools Line

Cylinders and Lifting Products

- General Purpose
- Aluminium Lightweight
- Pancake
- Flat-Jac®, Low Height
- Pull
- Hollow Plunger
- Precision
- Long Stroke
- High Tonnage
- POWR'RISER® Lifting Jacks
- Jacks
- Cylinder-Pump Sets

Pumps

- Manual
- Cordless & Electric Driven
- Compressed Air Driven
- Petrol Driven

System Components

- Hoses, Couplers, Oil
- Gauges, Adaptors
- Manifolds, Fittings

Valves

- 3-and 4-Way Directional
- Pressure and Flow Control

Presses

- Bench, Workshop, Roll Frame
- Arbor and C-Clamps
- Tension Meters, Load Cells

Pullers

- Master Pullers Sets
- Multi Purpose Puller Sets
- Posi Lock® Pullers

Tools

- Maintenance Sets
- Punches
- Machine Lifts
- Lifting Wedge
- Load Skates
- Cutters
- Pipe Benders
- Wedgie, Spreaders

Bolting Tools

- Multipliers
- Torque Wrenches
- Impact Sockets
- Bolt Tensioners
- Wrench and Tensioner Pumps
- Flange Alignment Tools
- Flange Facing Tool
- Nut Splitters

Enerpac Service Van



Heavy lifting and rigging equipment

While Enerpac has the world's largest product portfolio for heavy-lifting and load-control applications, we also have the knowledge to put all these programs together or modify them to provide a lift system for your most demanding and unique applications.

- Synchronous Lifting Systems
- Jack Up Systems
- Bridge Launching Systems
- Synchronous Hoisting Systems
- Hydraulic Gantries
- Heavy-Lifting Strand Jacks
- Skidding Systems
- Self-Erecting Towers
- Chain Pulling Systems
- Self-Propelled Modular Transporter.

Enerpac Worldwide Locations

For a complete list of addresses see:
www.enerpac.com/en/contact-us

About Enerpac

Enerpac is the leading global provider of high-pressure hydraulic tools and solutions with a broad range of products, local expertise and worldwide distribution network. With a proven track record in a wide range of markets, Enerpac designs and manufactures high-quality tools and solutions for all industrial applications.

Enerpac has gained unique experience in delivering hydraulic solutions for the controlled movement and positioning of heavy objects. Enerpac supports your business by offering the right solutions and service to help you get your work done efficiently and safely.

Your Enerpac Distributor: